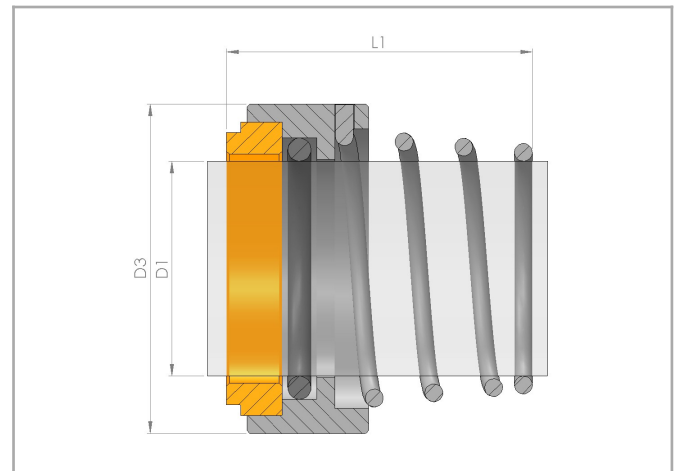


SIZES

| D1 | D3 | L1 | Unit |
|-------|--------|-------|------|
| 10.00 | 19.00 | 15.50 | mm |
| 12.00 | 21.00 | 15.50 | mm |
| 14.00 | 23.00 | 15.50 | mm |
| 15.00 | 24.00 | 15.50 | mm |
| 16.00 | 26.00 | 17.50 | mm |
| 18.00 | 29.00 | 18.50 | mm |
| 19.00 | 31.00 | 20.00 | mm |
| 20.00 | 31.00 | 20.00 | mm |
| 22.00 | 33.00 | 21.50 | mm |
| 24.00 | 35.00 | 23.00 | mm |
| 25.00 | 36.00 | 24.50 | mm |
| 26.00 | 37.00 | 24.50 | mm |
| 28.00 | 40.00 | 24.50 | mm |
| 30.00 | 43.00 | 24.50 | mm |
| 32.00 | 46.00 | 28.00 | mm |
| 33.00 | 46.00 | 28.00 | mm |
| 35.00 | 49.00 | 28.00 | mm |
| 38.00 | 53.00 | 31.00 | mm |
| 40.00 | 56.00 | 34.00 | mm |
| 42.00 | 59.00 | 35.00 | mm |
| 43.00 | 59.00 | 35.00 | mm |
| 45.00 | 61.00 | 36.50 | mm |
| 48.00 | 64.00 | 42.00 | mm |
| 50.00 | 66.00 | 43.00 | mm |
| 53.00 | 69.00 | 43.00 | mm |
| 55.00 | 71.00 | 47.00 | mm |
| 58.00 | 76.00 | 50.00 | mm |
| 60.00 | 78.00 | 51.00 | mm |
| 63.00 | 83.00 | 51.00 | mm |
| 65.00 | 84.00 | 52.00 | mm |
| 68.00 | 88.00 | 53.00 | mm |
| 70.00 | 90.00 | 54.00 | mm |
| 75.00 | 98.00 | 55.00 | mm |
| 80.00 | 100.00 | 58.00 | mm |



ALTERNATIVES

- ABS 11100087 (M377/25-00R)
- AES T01
- Burgmann
- Burgmann M32S33
- Burgmann M3
- Burgmann M37G
- Flowserve 38
- Grundfos 95086453
- Hecker HN 400A
- PAC-SEAL 1609S
- Vulcan 8
- Vulcan Type 8S.
- AES T01U
- Burgmann M3N
- Burgmann M377GS/40-G22-R
- Burgmann M32N61
- Burgmann M32
- Eriks TAO
- Flowserve Pac-Seal 38
- Hecker HN 400AG
- Latty T800
- Roten L4B
- Vulcan Type 8

APPLICATIONS

- Allweiler S3F 210R 40
- Biwater DKL 226-130-4MU
- Biwater PPF 408-024-4
- Biwater VKLE
- Biwater VPA 222-075-4
- Biwater VPE 222-025-6
- Biwater VPF 222-070-4
- Grundfos NK 100
- KSB Etaline SYT 80-160/752
- Mengin PS.65.195
- Biwater VK 55-175-4
- Biwater VPA 220-075-4
- Biwater VPE 222-025-6
- Gilkes BP220
- Hilge HYGIA-HP-Super II /50C
- KSB KRTUK 150-400/1104
- Schmitt UP-190

- Schmitt UP-210
- Walwin HW 2556-4
- Walwin SPU 4514
- Sulzer AZG 100/315
- Walwin Robot HW 3100

ROTARY FACES

- Carbon (CAR)
- Stainless steel 316 (SS316)
- Silicon carbide (SiC)
- Tungsten carbide (TC)

ELASTOMERS

- Aflas (AFL)
- FEP Viton/Silicone (FEP)
- Nitrile (NIT)
- Silicone (SIL)
- EPDM (EPDM)
- Kalrez (KAL)
- PTFE (PTFE)
- Viton (VIT)