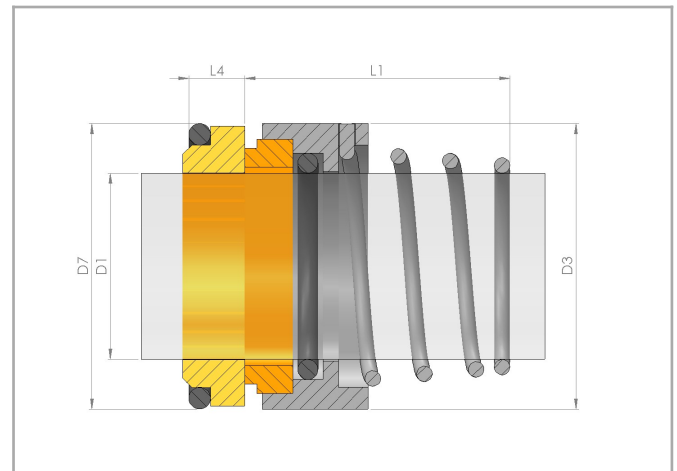


SIZES

D1	D3	L1	D7	L4	Unit
10.00	19.00	15.50	19.20	6.60	mm
12.00	21.00	15.50	21.60	5.60	mm
14.00	23.00	15.50	24.60	5.60	mm
15.00	24.00	15.50	24.60	6.60	mm
16.00	26.00	17.50	28.00	7.50	mm
18.00	29.00	18.50	30.00	8.00	mm
19.00	31.00	20.00	31.00	7.50	mm
20.00	31.00	20.00	35.00	7.50	mm
22.00	33.00	21.50	35.00	7.50	mm
24.00	35.00	23.00	38.00	7.50	mm
25.00	36.00	24.50	38.00	7.50	mm
26.00	37.00	24.50	40.00	8.00	mm
28.00	40.00	24.50	42.00	9.00	mm
30.00	43.00	24.50	45.00	10.50	mm
32.00	46.00	28.00	48.00	10.50	mm
33.00	46.00	28.00	48.00	11.00	mm
35.00	49.00	28.00	52.00	11.00	mm
38.00	53.00	31.00	55.00	10.30	mm
40.00	56.00	34.00	58.00	10.80	mm
42.00	59.00	35.00	62.00	12.00	mm
43.00	59.00	35.00	62.00	12.00	mm
45.00	61.00	36.50	64.00	11.60	mm
48.00	64.00	42.00	68.40	11.60	mm
50.00	66.00	43.00	69.30	11.60	mm
53.00	69.00	43.00	72.30	12.30	mm
55.00	71.00	47.00	75.40	13.30	mm
58.00	76.00	50.00	78.40	13.30	mm
60.00	78.00	51.00	80.40	13.30	mm
63.00	83.00	51.00	0.00	0.00	mm
65.00	84.00	52.00	85.40	13.00	mm
68.00	88.00	53.00	91.50	12.70	mm
70.00	90.00	54.00	92.00	13.00	mm
75.00	98.00	55.00	99.00	14.00	mm
80.00	100.00	58.00	104.00	15.00	mm



ALTERNATIVES

- AES T01U S01U
- Burgmann M32 G4
- Burgmann M377 G4
- Vulcan 8
- AES T01 S01
- Burgmann M37G G4
- Eriks TAO SAO

STATIONARY FACES

- Ceramic (CER)
- Stainless steel 316 (SS316)
- Silicon carbide (SiC)
- Tungsten carbide (TC)

ROTARY FACES

- Carbon (CAR)
- Stainless steel 316 (SS316)
- Silicon carbide (SiC)
- Tungsten carbide (TC)

ELASTOMERS

- Aflas (AFL)
- FEP Viton/Silicone (FEP)
- Nitrile (NIT)
- Silicone (SIL)
- EPDM (EPDM)
- Kalrez (KAL)
- PTFE (PTFE)
- Viton (VIT)

PARTS

- Qseals QCS01
- Qseals ST04