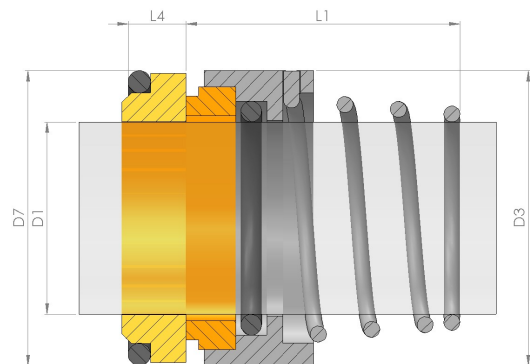


Sizes

The Qseals QCS01ST04 is available in at least 34 different sizes:

D1	D3	L1	D7	L4	Unit
10.00	19.00	15.50	19.20	6.60	inch
12.00	21.00	15.50	21.60	5.60	inch
14.00	23.00	15.50	24.60	5.60	inch
15.00	24.00	15.50	24.60	6.60	inch
16.00	26.00	17.50	28.00	7.50	mm
18.00	29.00	18.50	30.00	8.00	mm
19.00	31.00	20.00	31.00	7.50	mm
20.00	31.00	20.00	35.00	7.50	mm
22.00	33.00	21.50	35.00	7.50	mm
24.00	35.00	23.00	38.00	7.50	mm
25.00	36.00	24.50	38.00	7.50	mm
26.00	37.00	24.50	40.00	8.00	mm
28.00	40.00	24.50	42.00	9.00	mm
30.00	43.00	24.50	45.00	10.50	mm
32.00	46.00	28.00	48.00	10.50	mm
33.00	46.00	28.00	48.00	11.00	mm
35.00	49.00	28.00	52.00	11.00	mm
38.00	53.00	31.00	55.00	10.30	mm
40.00	56.00	34.00	58.00	10.80	mm
42.00	59.00	35.00	62.00	12.00	mm
43.00	59.00	35.00	62.00	12.00	mm
45.00	61.00	36.50	64.00	11.60	mm
48.00	64.00	42.00	68.40	11.60	mm
50.00	66.00	43.00	69.30	11.60	mm
53.00	69.00	43.00	72.30	12.30	mm
55.00	71.00	47.00	75.40	13.30	mm
58.00	76.00	50.00	78.40	13.30	mm
60.00	78.00	51.00	80.40	13.30	mm
63.00	83.00	51.00	0.00	0.00	mm
65.00	84.00	52.00	85.40	13.00	mm
68.00	88.00	53.00	91.50	12.70	mm
70.00	90.00	54.00	92.00	13.00	mm
75.00	98.00	55.00	99.00	14.00	mm
80.00	100.00	58.00	104.00	15.00	mm



Technical specifications

Temperature	-20 till 200 °C
Pressure	10 bar
Rotational velocity	20 m/s
Rotate left	Yes
Rotate right	Yes
Balanced	No

Stationary faces

The Qseals QCS01ST04 is available with at least 4 different stationary face materials:

- Ceramic (CER)
- Silicon carbide (SIC)
- Stainless steel 316 (SS316)
- Tungsten carbide (TC)

Elastomers

The Qseals QCS01ST04 is available with at least 8 different elastomers:

- Aflas (AFL)
- EPDM (EPDM)
- FEP Viton/Silicone (FEP)
- Kalrez (KAL)
- Nitrile (NIT)
- PTFE (PTFE)
- Silicone (SIL)
- Viton (VIT)

Parts

The Qseals QCS01ST04 consists of 1 parts:

- Qseals ST04

Alternatives

The Qseals QCS01ST04 is an alternative to at least 7 products of other brands:

- AES T01U S01U
- AES T01 S01
- Burgmann M32 G4
- Burgmann M37G G4
- Burgmann M377 G4
- Eriks TAO SAO
- Vulcan 8