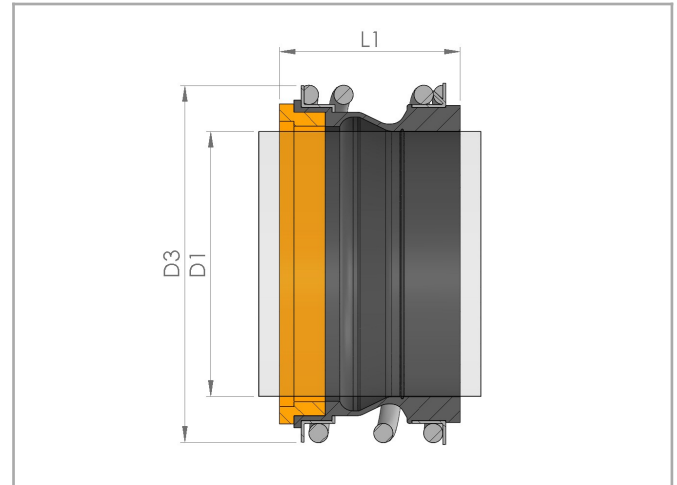


## SIZES

D1	D3	L1	Unit
10.00	24.00	14.50	mm
12.00	24.00	15.00	mm
14.00	28.00	17.00	mm
15.00	28.00	17.00	mm
16.00	29.00	17.00	mm
18.00	31.00	19.50	mm
20.00	36.00	21.50	mm
22.00	36.00	21.50	mm
24.00	40.50	22.50	mm
25.00	41.00	23.00	mm
28.00	47.00	26.50	mm
30.00	47.00	26.50	mm
32.00	51.00	27.50	mm
33.00	51.00	27.50	mm
35.00	55.00	28.50	mm
38.00	58.00	30.00	mm
40.00	60.00	30.00	mm
43.00	63.00	30.00	mm
45.00	65.00	30.00	mm
48.00	69.00	30.50	mm
50.00	71.00	30.50	mm
53.00	76.00	33.00	mm
55.00	78.00	35.00	mm
58.00	82.00	37.00	mm
60.00	85.00	38.00	mm
65.00	90.00	40.00	mm
68.00	94.00	40.00	mm
70.00	97.00	40.00	mm
75.00	102.00	40.00	mm
80.00	108.00	40.00	mm
85.00	117.00	41.00	mm
90.00	126.00	45.00	mm
95.00	131.00	46.00	mm
100.00	136.00	47.00	mm



## ALTERNATIVES

- ABS 11110061 (MG1/80)
- ABS 11110144 (MG1S4/40-Q1Q1PGG)
- ABS 11100051 (MG1/90)
- AES B02
- Alfa-Laval 31460-0272-5
- Alfa-Laval 31460-0273-6
- Angst+Pfister 11.5822.0040
- Angst+Pfister SUPRAPLAN 11 (40mm)
- Burgmann 022S MG1-G36
- Burgmann MG1/22-G36
- Fluiten EB
- M.T.U. FG1
- Vulcan 19
- ABS 11100050 (MG1/65)
- ABS 11110001 (MG1/20-G2-E1)
- AES B09U
- Alfa-Laval 31460-0272-6
- Alfa-Laval 31460-0273-5
- Anga A1
- Angst+Pfister SUPRAPLAN 11 (25mm)
- Angst+Pfister 11.5822.0025
- Burgmann MG1
- Flowserve 190
- Latty T700
- Roten L3
- And 39 others...

## APPLICATIONS

- ABS AF 530
- ABS RW 3021 A15/R6
- ABS PIRANHA S18/2
- ABS AV 14-4 VX 186

- ABS PIRANHA S25/2
- ABS PIRANHA S20/2
- ABS PIRANHA S17/2
- ABS PIRANHA S13/4
- ABS PIRANHA S10/4
- Cri-Man PTS 9-100
- Gilkes BPLQ220.040.4
- Grundfos AP100-100-130
- Grundfos AP80-80-10-3V
- Homa AM171.7.5N/2/1N
- Homa K5566-F78/C
- ABS PIRANHA S21/2
- ABS PIRANHA S26/2
- ABS PIRANHA S16/2
- ABS PIRANHA S12/2
- ABS PIRANHA 23/2
- Ebara EVMW4-10N
- Gilkes VPLQ 222-150-4
- Grundfos AP80-100-92/10
- Grundfos SEG 40 (2.6 - 4.0 kW)
- Homa AMX644-310-34.5 F/C
- And 980 others...

## ROTARY FACES

---

- Carbon (CAR)
- Tungsten carbide (TC)
- Silicon carbide (SIC)

## ELASTOMERS

---

- EPDM (EPDM)
- Viton (VIT)
- Nitrile (NIT)