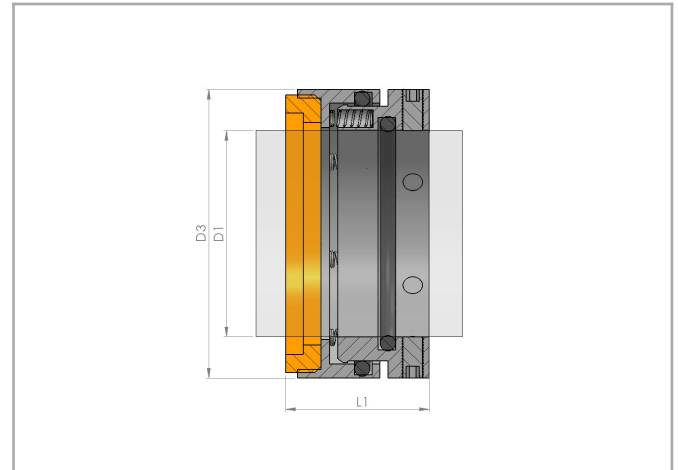


SIZES

D1	D3	L1	Unit
20.00	36.00	20.00	mm
22.00	38.00	20.00	mm
24.00	40.00	22.00	mm
25.00	41.00	23.00	mm
28.00	44.00	23.00	mm
30.00	46.00	24.00	mm
32.00	48.00	24.00	mm
33.00	49.00	24.00	mm
35.00	51.00	24.00	mm
38.00	58.00	27.00	mm
40.00	60.00	28.00	mm
43.00	63.00	28.00	mm
45.00	65.00	28.00	mm
48.00	68.00	28.00	mm
50.00	70.00	27.00	mm
53.00	73.00	27.00	mm
53.00	88.00	32.00	mm
55.00	75.00	27.00	mm
58.00	83.00	29.00	mm
60.00	85.00	29.00	mm
65.00	90.00	32.00	mm
68.00	93.00	32.00	mm
70.00	95.00	32.00	mm
75.00	104.00	32.00	mm
80.00	109.00	32.00	mm
85.00	114.00	32.00	mm
90.00	119.00	38.00	mm
95.00	124.00	38.00	mm
100.00	129.00	38.00	mm



ROTARY FACES

- Carbon (CAR)
- Tungsten carbide (TC)
- Silicon carbide (SIC)

ELASTOMERS

- Aflas (AFL)
- FEP Viton/Silicone (FEP)
- Nitrile (NIT)
- Silicone (SIL)
- EPDM (EPDM)
- Kalrez (KAL)
- PTFE (PTFE)
- Viton (VIT)